



KIT PART NUMBERS 1470099, 3150036, and 4300038

INSTRUCTIONS FOR REPLACING THE BILL VALIDATOR WITH A BLANK PLATE

CHECK THE PARTS RECEIVED IN THE KIT WITH THE PARTS LIST IN THESE INSTRUCTIONS. IF ANY PARTS ARE MISSING, CONTACT THE NATIONAL VENDORS PARTS DEPARTMENT IMMEDIATELY.

**Read these instructions carefully before installing the kit.
Keep these instructions for part numbers and for future reference.**

Kit 1470099 contains the following:

INDEX	PART NUMBER	DESCRIPTION	QUANTITY
1	1475156	Plate - No Validator (Snack and Hot Drink)	1
	1470123	Kit Instruction	1

Kit 3150036 contains the following:

INDEX	PART NUMBER	DESCRIPTION	QUANTITY
1	3152613	Plate - No Validator	1
	1470123	Kit Instruction	1

Kit 4300038 contains the following:

INDEX	PART NUMBER	DESCRIPTION	QUANTITY
1	4305143	Plate - No Validator - 430	1
	1470123	Kit Instruction	1



Instructions for kit 1470099 (refer to figure 1):

1. Place the main power switch in the **OFF** position.
2. From the rear of the monetary panel, remove the bill validator and all other parts shown in dashed lines.

NOTE

Retain all attaching hardware.

3. Install plate, using the screws you removed in step 1.
4. Place the main power switch in the **ON** position.

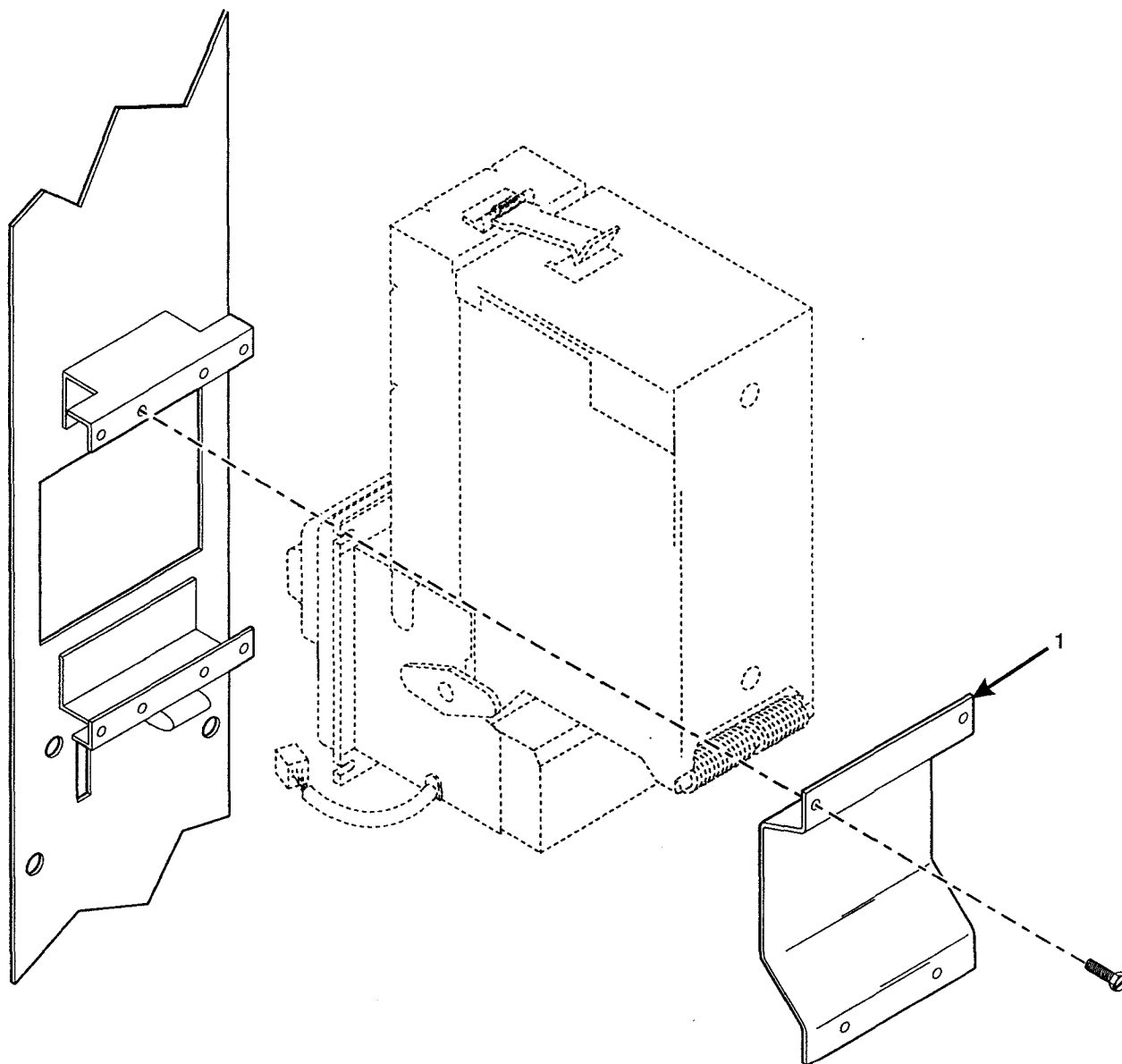


Figure 1



Instructions for kit 4300038 (refer to figure 3):

1. Place the main power switch in the **OFF** position.
2. From the rear of the monetary panel, remove the bill validator and all other parts shown in dashed lines.

NOTE

Retain all attaching hardware.

3. Install plate, using the screws you removed in step 1.
4. Place the main power switch in the **ON** position.

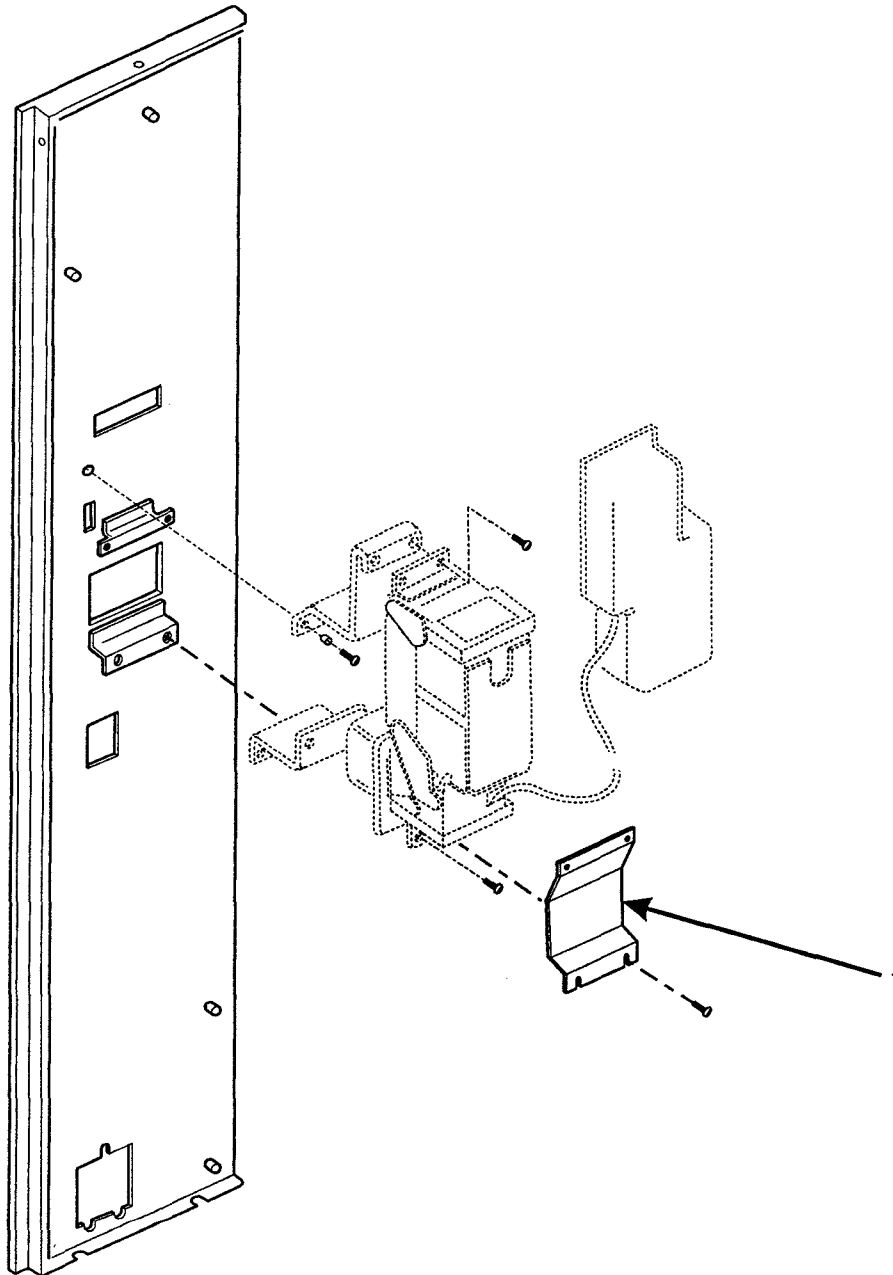


Figure 3



Instructions for kit 3150036 (refer to figure 2):

1. Place the main power switch in the **OFF** position.
2. From the rear of the monetary panel, remove the bill validator and all other parts shown in dashed lines.

NOTE

Retain all attaching hardware.

3. Install plate, using the screws you removed in step 1.
4. Place the main power switch in the **ON** position.

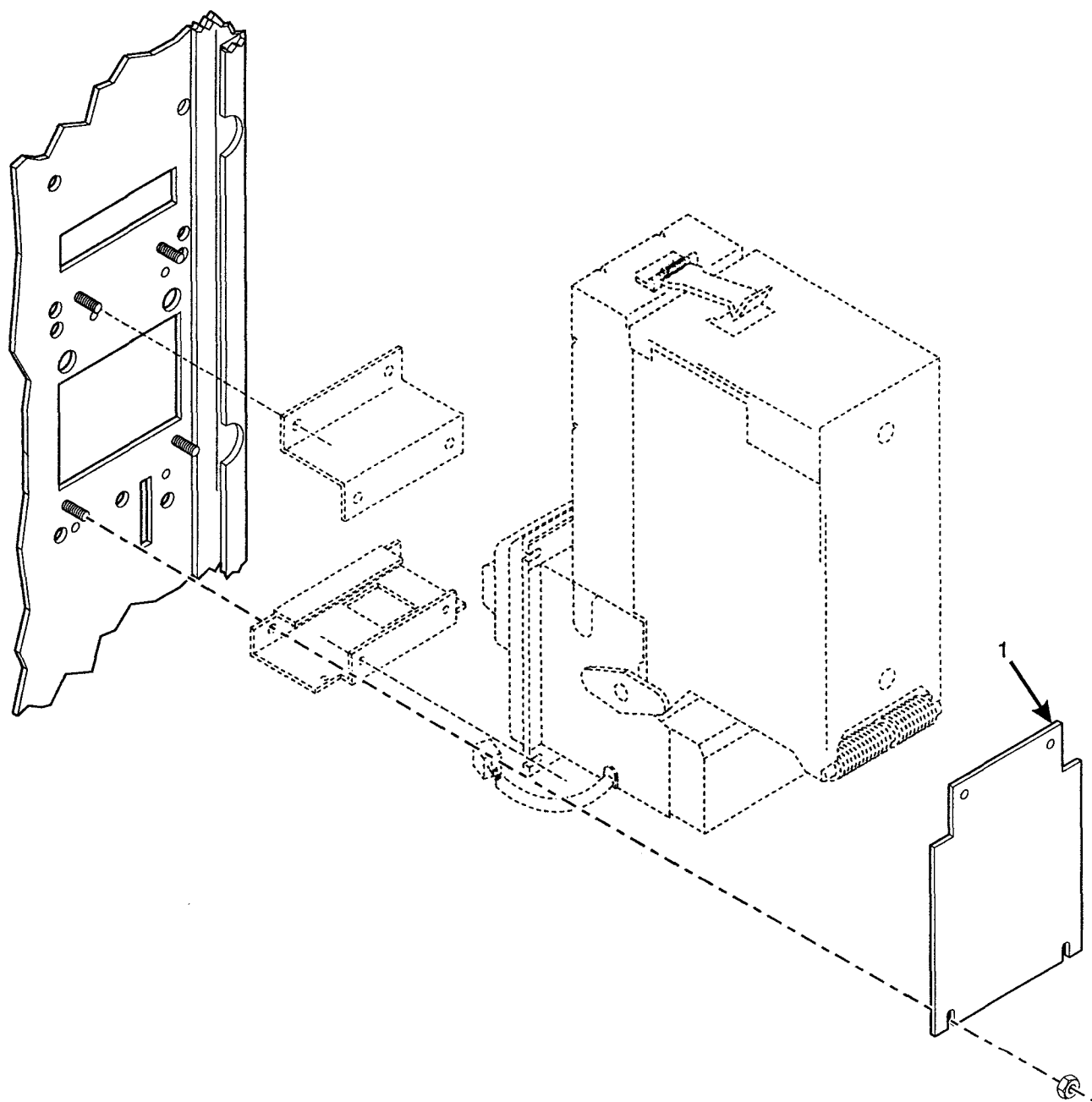


Figure 2